

Sanitary Diaphragm Valve

Description

The type M600 03-02S 2 way multi-port is a compact valve which incorporates both a sterile access and GMP fabrication into a single body design making it ideal for pharmaceutical and bio-processing applications.

Standard Features

- Most compact central cavity available with minimal dead leg
- Machined from solid 316L material.
- Standard weld ends are machined from solid bar reducing excessive welds and additional tube ends, yet long enough for orbital weld heads
- May be positioned in a vertical or horizontal line
- Sizes 1/4" - 4"

Available Options

Special connections

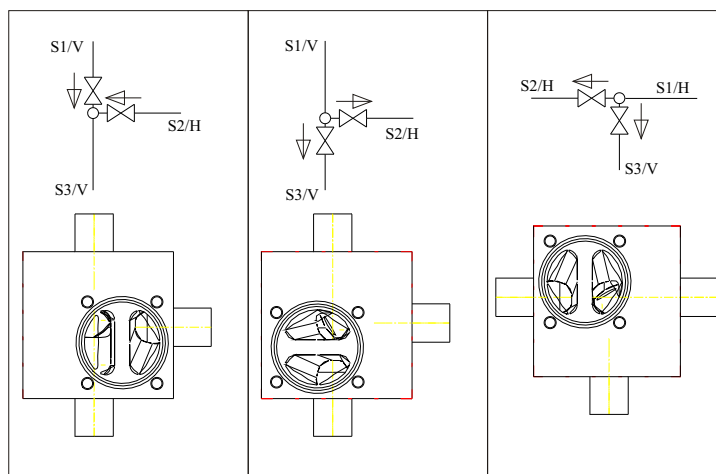
Hose barb, tube extensions, Swagelok®, Cajon VCR®, Ingold®, and others available upon request.

Materials

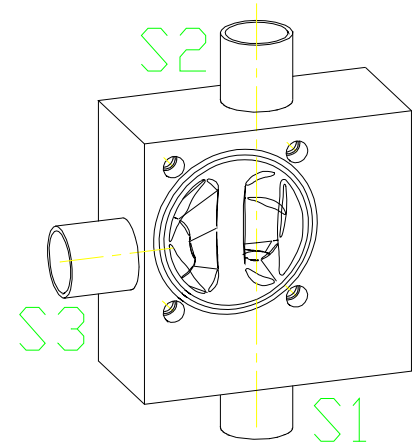
AL-6XN®, Hastelloy®, Titanium®, and others available upon request.

Typical Applications

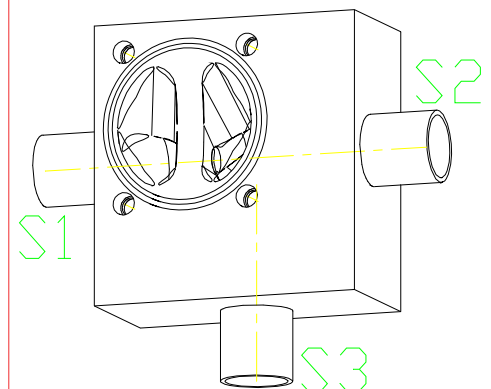
- Pharmaceutical manufacturing
- Bioprocessing
- Cosmetic
- Brewery Service
- Food and Beverage
- Semiconductor
- High Purity Chemicals



Vertical Installations



Horizontal Installations



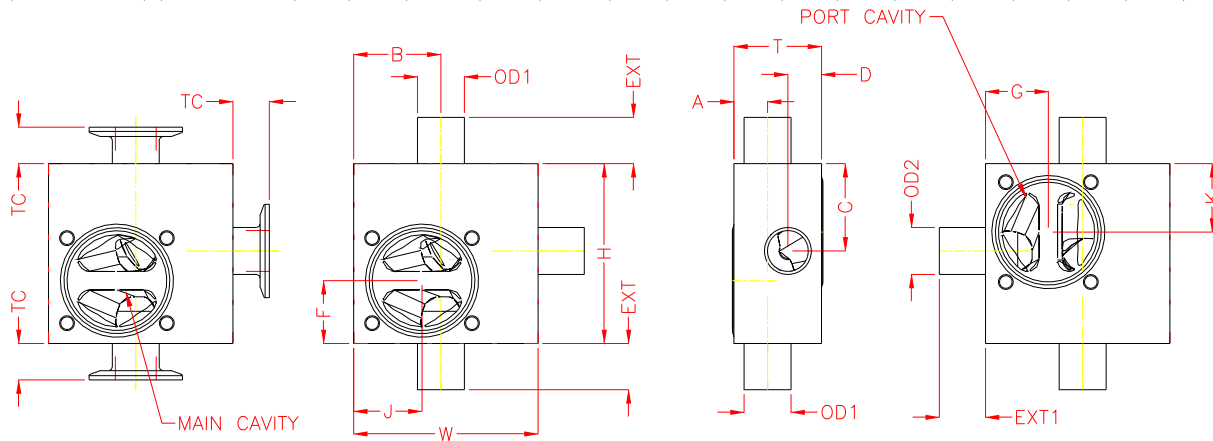
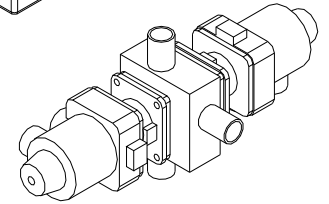
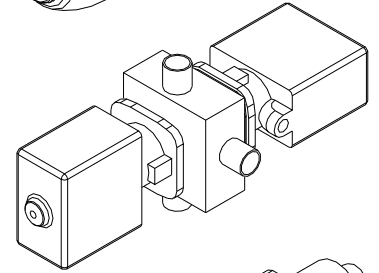
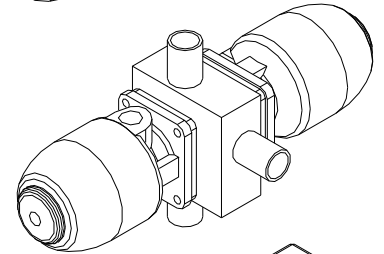
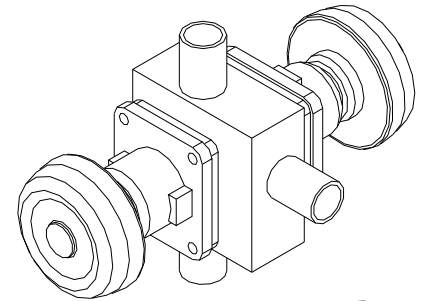
Type M600 03-02S

GEMÜ® Multi-Port Diaphragm Valves

M600 3-2.S Body Dimensions

Size 1/2" x 1/2" (DN015 x 015) - 2" x 2" (DN050 x DN050)

Main Cavity	x	Port Cavity	Units	OD1	Wallthk	OD2	Wallthk	A	B	C	D	F	G	H	J	K	T	W	EXT	EXT1	TC
601	1/2"	x 601 1/2"	in	0.50	0.065	0.50	0.065	0.32	0.76	0.76	0.32	0.63	0.63	1.65	0.63	0.63	0.80	1.67	0.79	0.79	0.78
			mm	12.70	1.65	12.70	1.65	8.2	19.2	19.2	8.2	16.0	16.0	41.8	16.0	16.0	20.4	42.4	20.0	20.0	19.7
611	1/2"	x 601 1/4"	in	0.50	0.065	0.25	0.035	0.47	1.23	0.90	0.32	1.08	0.63	2.16	0.98	0.68	0.95	2.17	0.79	0.79	0.78
			mm	12.70	1.65	6.35	0.89	11.9	31.1	22.8	8.2	27.5	16.0	54.8	25.0	17.2	24.1	55.0	20.0	20.0	19.7
611	1/2"	x 611 1/2"	in	0.50	0.065	0.50	0.06496	0.47	1.23	1.23	0.47	1.08	1.08	2.59	0.98	0.98	1.16	2.66	0.79	0.79	0.78
			mm	12.70	1.65	12.70	1.65	11.9	31.2	31.2	11.9	27.5	27.5	65.9	25.0	25.0	29.5	67.6	20.0	20.0	19.7
611	3/4"	x 601 1/2"	in	0.75	0.065	0.50	0.06496	0.47	1.10	0.79	0.32	1.08	0.63	2.16	0.98	0.67	1.11	2.19	0.98	0.79	0.78
			mm	19.05	1.65	12.70	1.65	11.9	28.1	20.2	8.2	27.5	16.0	54.8	25.0	17.1	28.1	55.5	25.0	20.0	19.7
611	3/4"	x 611 1/2"	in	0.75	0.065	0.50	0.06496	0.47	1.10	1.23	0.47	1.08	1.08	2.59	0.98	0.98	1.17	2.66	0.98	0.79	0.78
			mm	19.05	1.65	12.70	1.65	11.9	28.1	31.2	11.9	27.5	27.5	65.9	25.0	25.0	29.8	67.6	20.0	20.0	19.7
611	3/4"	x 611 3/4"	in	0.75	0.065	0.75	0.06496	0.47	25.00	1.10	0.47	1.08	1.08	2.59	0.98	0.98	1.17	2.66	0.98	0.98	0.78
			mm	19.05	1.65	19.05	1.65	11.9	28.1	28.1	11.9	27.5	27.5	65.9	25.0	25.0	29.8	67.6	25.0	25.0	19.7
600	1"	x 601 1/2"	in	1.00	0.065	0.50	0.06496	0.72	1.86	1.23	0.32	1.34	0.63	2.95	1.46	1.11	1.61	3.09	0.98	0.79	0.78
			mm	25.40	1.65	12.70	1.65	18.2	47.2	31.2	8.2	34.0	16.0	74.9	37.0	28.1	40.9	78.5	25.0	20.0	19.7
600	1"	x 611 3/4"	in	1.00	0.065	0.75	0.06496	0.72	1.86	1.10	0.47	1.34	1.08	2.95	1.46	0.98	1.68	3.57	0.98	0.98	0.78
			mm	25.40	1.65	19.05	1.65	18.2	47.2	28.0	11.9	34.0	27.5	74.9	37.0	25.0	42.6	90.6	25.0	25.0	19.7
600	1"	x 600 1"	in	1.00	0.065	1.00	0.06496	0.72	1.86	1.86	0.72	1.46	1.34	3.83	1.34	1.46	1.87	3.93	0.98	0.98	0.78
			mm	25.40	1.65	25.40	1.65	18.2	47.2	47.3	18.2	37.0	34.0	97.3	34.0	37.0	47.4	99.8	25.0	25.0	19.7
600	1 1/2"	x 611 1/2"	in	1.50	0.065	0.50	0.06496	1.00	2.48	1.35	0.47	1.81	1.08	3.62	2.01	1.10	2.23	4.46	0.98	0.79	0.78
			mm	38.10	1.65	12.70	1.65	25.3	63.0	34.3	11.9	46.0	27.5	92.0	51.0	28.0	56.7	113.4	25.0	20.0	19.7
600	1 1/2"	x 611 3/4"	in	1.50	0.065	0.75	0.06496	1.00	2.48	1.22	0.47	1.81	1.08	3.62	2.01	1.10	2.23	4.46	0.98	0.98	0.78
			mm	38.10	1.65	19.05	1.65	25.3	63.0	31.1	11.9	46.0	27.5	92.0	51.0	28.0	56.7	113.4	25.0	25.0	19.7
600	1 1/2"	x 600 1"	in	1.50	0.065	1.00	0.06496	1.00	2.48	1.86	0.72	1.81	1.34	4.38	2.01	1.46	2.38	4.82	0.98	0.98	0.78
			mm	38.10	1.65	25.40	1.65	25.3	63.0	47.3	18.2	46.0	34.0	111.3	51.0	37.0	60.5	122.5	25.0	25.0	19.7
600	1 1/2"	x 600 1 1/2"	in	1.50	0.065	1.50	0.06496	1.00	2.48	2.48	1.00	1.81	1.81	5.25	2.01	2.01	2.46	5.34	0.98	0.98	0.78
			mm	38.10	1.65	38.10	1.65	25.3	63.0	63.0	25.3	46.0	46.0	133.4	51.0	51.0	62.6	135.7	25.0	25.0	19.7
600	2"	x 611 1/2"	in	2.00	0.065	0.50	0.06496	1.23	2.96	1.71	0.47	2.17	1.08	4.33	2.44	1.46	2.62	5.21	1.18	0.79	0.78
			mm	50.80	1.65	12.70	1.65	31.2	75.1	43.3	11.9	55.0	27.5	110.0	62.0	37.1	66.6	132.3	30.0	20.0	19.7
600	2"	x 611 3/4"	in	2.00	0.065	0.75	0.06496	1.23	2.96	1.58	0.47	2.17	1.08	4.33	2.44	1.46	2.62	5.21	1.18	0.98	0.78
			mm	50.80	1.65	19.05	1.65	31.2	75.1	40.2	11.9	55.0	27.5	110.0	62.0	37.1	66.6	132.3	30.0	25.0	19.7
600	2"	x 600 1"	in	2.00	0.065	1.00	0.06496	1.23	2.96	1.86	0.72	2.17	1.34	4.74	2.44	1.46	2.77	5.57	1.18	0.98	0.78
			mm	50.80	1.65	25.40	1.65	31.2	75.1	47.3	18.2	55.0	34.0	120.3	62.0	37.0	70.4	141.4	30.0	25.0	19.7
600	2"	x 600 1 1/2"	in	2.00	0.065	1.50	0.06496	1.23	2.96	2.48	1.00	2.17	1.81	5.62	2.44	2.01	2.97	6.10	1.18	0.98	0.78
			mm	50.80	1.65	38.10	1.65	31.2	75.1	63.0	25.3	55.0	46.0	142.7	62.0	51.0	75.5	154.9	30.0	25.0	19.7
600	2"	x 600 2"	in	2.00	0.065	2.00	0.06496	1.23	2.96	2.96	1.23	2.17	2.17	6.33	2.44	2.44	3.20	6.46	1.18	1.18	0.78
			mm	50.80	1.65	50.80	1.65	31.2	75.1	75.1	31.2	55.0	55.0	160.8	62.0	62.0	81.4	164.2	30.0	30.0	19.7

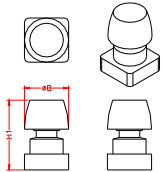


Cavity Size	Compatible Actuator Type
601	601, 605
611	612, 625, 640, 650 A1-1T
600	672, 673, 640, 650 1-4T, 653, 687

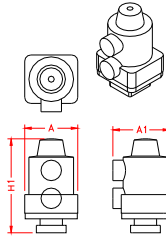
GEMÜ® Multi-Port Diaphragm Valves

Actuator Types and Dimensions

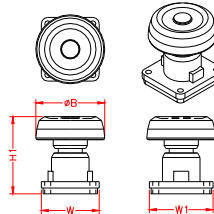
601



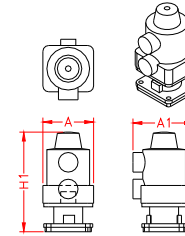
605



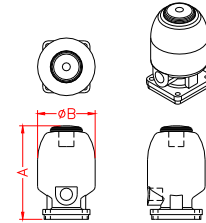
612



625

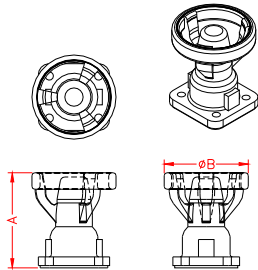


650 1-4T

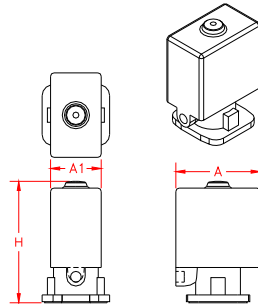


601		605			612				625			650 1T	
ØB	H1	A	A1	H1	ØB	H1	W	W1	A	A1	H1	A	ØB
32	58	57	61	101	60	77	50	55	57	68	112	101	61

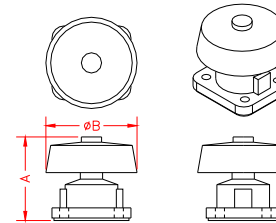
653/654



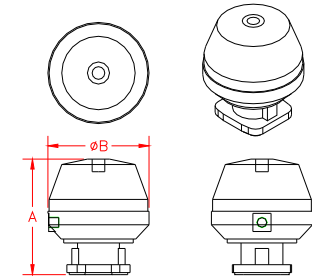
640



673



687



Cavity Size			653/654		673		640			650 2-4T		687		
			A	ØB	A	ØB	A	A1	H	A	ØB	A	A1	ØB
600	1"	25	103	92	102	90	100	60	157	130	90	143	109	128
600	1 1/2"	40	128	114	119	114	160	80	230	168	114	180	138	158
600	2"	50	150	132	136	140	160	80	250	216	144	215	161	213